



Great value in a modern design

with powersaving LED technology

With this energy efficient Hospitality TV, you will enjoy efficient installation via USB cloning and dedicated hospitality features like menu and control locking.

Great viewing experience and guest comfort

- LED TV for images with incredible contrast
- Low power consumption
- USB for multimedia playback

Advanced hotel features and future proof

- Greet your guests with a customizable welcome page
- USB cloning of all settings for quick installation
- Installation menu locking
- Prevent unauthorized access with joystick control locking
- Advanced volume control to avoid guest disturbance
- Ideally suited for prisons

Highlights

LED TV

With LED backlight you can enjoy low power consumption and beautiful lines combined with high brightness, incredible contrast and vibrant colors.

Welcome page

A welcome page is displayed each time the TV set is switched on. The welcome page can be branded and customized easily at the time of installation via a simple welcome image in .png format.

USB Cloning

Provides the ability to easily copy all programming and channel programming settings from one TV into other TV sets in less than a minute. The feature ensures uniformity between TV sets and significantly reduces installation time and costs.

PrisonMode

To control communication, this Hospitality TV is equipped with a specific PrisonMode setting.

This Advanced Security Mode switches off certain settings not demanded by the detention market like Teletext, Electronic Programme Guide, Subtitles and USB ports.

USB (photos, music, video)



Share the fun. Connect your USB memory-stick, digital camera, mp3 player or other multimedia device to the USB port on your TV to enjoy photos, videos and music with the easy to use onscreen content browser.

Advanced volume control

With advanced volume control you can install the start-up volume of the TV and predifine the

volume range with which the TV set is allowed to operate, preventing excessive volume adjustments and avoiding disturbance of next door guests.

Joystick control locking

By selecting in the set up menu the option to lock or unlock access to the joystick control of the TV, unauthorized acces to the TV menu is prevented saving the hotelier time and effort of re-installing.

Installation menu locking

Prevents unauthorized access to installation and configuration settings, to ensure maximum guest convenience and avoid unnecessary reinstalling costs.

Low power consumption

Philips TVs are desgined to minimize power consumption. This will not only reduce environmental impact but also lower operating costs.

Specifications

Picture/Display

- Display: LED HD TV, E-LED
- Diagonal screen size: 32 inch / 61 cm
- Aspect ratio: 16:9
- Panel resolution: 1366 x 768p
- Brightness: 220 cd/m²
- Viewing angle: 176° (H) / 176° (V)
- Picture enhancement: Digital Crystal Clear, 100 Hz Perfect Motion Rate

Audio

- Sound output Power: 2x 2.5 W
- Speaker: 2.0, Downfiring
- Sound Features: Equalizer, Balance, AVL, Incredible surround, Dynamic Bass

Design

- Front Colour: Black

Tuner/Reception/Transmission

- Digital TV: DVB-T2/C
- Analog TV: PAL, SECAM

Connectivity Rear

- Antenna: IEC-75
- HDMI1: HDMI 1.4
- Digital Audio out: Coaxial
- Scart: CVBS, RGB, SVHS
- VGA input: 15 pin D-sub

Connectivity Side

- Common Interface Slot: CI+ 1.3
- AV input: CVBS +L/R (Mini-Jack)
- Headphone out: Mini-Jack
- USB1: USB 2.0

Connectivity Enhancements

- EasyLink (HDMI CEC): One touch play, System Standby
- HDMI: ARC (all ports)

Features

- Digital services: 8d EPG, MHEG, Teletext
- Ease of use: Smart Picture mode, Smart Sound mode
- Special modes: Game mode

Hospitality Features

- Hotel mode: Joystick control lock, Menu lock,

- Installation Menu Lock, Volume limitation
- Prison mode: high security mode, EPG, MHEG, TXT, USB
- Your brand: Welcome logo
- Cloning and Firmware update: via USB, Instant Initial Cloning
- Timer: Sleep timer, Wake up alarm, Wake Up on Channel
- Channels: combined list
- Control: Block automatic channel update
- Anti-Theft: Battery anti-theft protection, Kensington Lock

Healthcare features

- Control: Multi-Remote Control
- Convenience: Headphone out

Multimedia

- Multimedia connections: USB
- Video formats supported: Containers: AVI, MKV, H.264/MPEG4 AVC, MPEG1, MPEG2, MPEG4
- Subtitle formats supported: SRT
- Music formats supported: MP3
- Picture formats supported: BMP, JPG, PNG
- Video resolutions supported: up to 1920x1080p@30Hz

Accessories

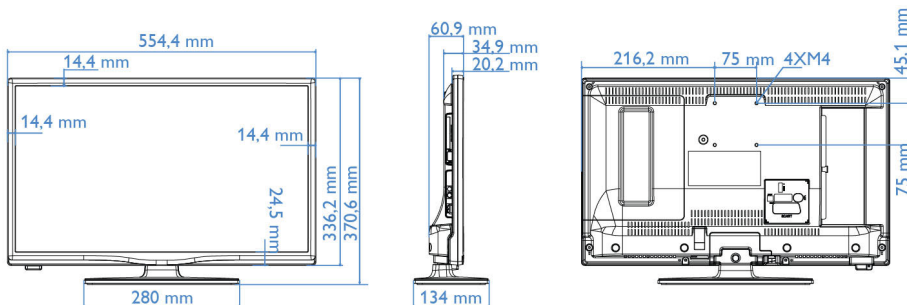
- Included: Remote Control 22AV1407A/12, 2xAAA Battery, Tabletop stand, Warranty Leaflet, Legal and Safety brochure
- Optional: Setup RC 22AV8573/00

Power

- Mains power: AC 220-240V; 50-60Hz
- Energy Label Class: A
- Eu Energy Label power: 25 W
- Annual energy consumption: 36 kWh
- Standby power consumption: <0.3W
- Power Saving Features: Eco mode

Dimensions

- Set dimensions (W x H x D): 554 x 336 x 35/61 mm
- Set dimensions with stand (W x H x D): 554 x 371 x 134 mm
- Product weight: 3.8 kg
- VESA wall mount compatible: 75 x 75 mm, M4



Issue date 2014-11-24
Owner: jan van hecke
Version: 0.0.0

12 NC: 8670 001 24907
EAN: 87 18863 00390 9

Test leaflet, for internal use only!
© 2014 Koninklijke Philips N.V.
All Rights reserved.

Specifications are subject to change without notice.
Trademarks are the property of Koninklijke Philips N.V.
or their respective owners.

www.philips.com

* Availability of features will depend on implementation chosen by integrator.
* Typical on-mode power consumption measured according to IEC62087 Ed 2. The actual energy consumption will depend on how the television is used.
* This television contains lead only in certain parts or components where no technology alternatives exist in accordance with existing exemption clauses under the RoHS Directive.