

Samsung Hospitality Displays

HT690U Series (EU)

Highlights

- Elevate content to UHD resolution through upscaling technology
- Improve picture clarity and detail with HDR10+ refinement
- Quickly create and share personalized and promotional messaging
- Allow guests to manage in-room settings within an intuitive home menu
- Gauge and address maintenance needs in anticipation of guest requests
- Build compatible web applications within the powerful TIZEN OS



Crisp and vivid color expression



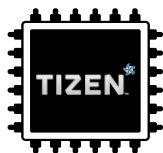
Crystal Display ensures optimized color expression so guests can experience every subtle detail, immersing themselves in any content with a wider range of colors.

Refined picture quality



Beyond consistent UHD quality, Samsung's displays bring the power of High Dynamic Range (HDR10+) picture refinement to any hotel room. Using dynamic metadata that fine-tunes each frame within a given program, HDR10+ technology delivers an optimal, detail-rich and memorable viewing experience.

Powerful performance, enhanced security



Backed by the powerful TIZEN operating system, Samsung hospitality displays ensure secure content delivery across the application, platform and system layers.

Centralized, real-time management



Compatible with existing LAN, Wi-Fi and coaxial infrastructures, Samsung's LYNK REACH 4.0 content platform centralizes and streamlines overall hotel maintenance. Hotel managers now can remedy issues across single displays or display groups before they escalate.

Additional features

- ▶ Plug and Play
- 🔒 LYNK DRM
- 🔊 Bluetooth Music Player
- 📱 Mobile Mirroring

- 🔊 Sound Bar Compatibility
- 🏠 SI Compatibility
- 🔌 Lan Out
- 🔊 Variable Speaker

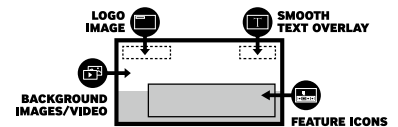
- 🛡️ Security Mode
- 🔄 Swivel Stand
- 📄 ISTA

UHD-quality content delivery



Samsung's hospitality displays offer hotel guests the vivid picture quality of home entertainment systems. Through UHD upscaling technology, these refined displays showcase all content at UHD resolution (3,840 x 2,160), with four times the pixels of the FHD standard.

A tailored home menu



Each Samsung hospitality display includes an intuitive, customizable home menu that streamlines content exchange between hotels and guests. Content managers can easily incorporate images, logos and feature icons specific to guest needs while reinforcing special offers and hotel branding.

Simple, compatible web app development



Beyond its advanced graphics capabilities, Samsung's H.Browser empowers smooth application development. All apps can be stored within the TIZEN OS and are supported by Web Simulator and Remote Web Inspector tools that further refine app performance and security.

End-to-end personalized service



Hotels additionally can use LYNK REACH 4.0 to deliver customized guest messaging. Upon arrival, guests can receive a personalized greeting along with information about promotions or on-site amenities relevant to their stay. LYNK REACH 4.0 also provides express check-out for added convenience.

Specifications

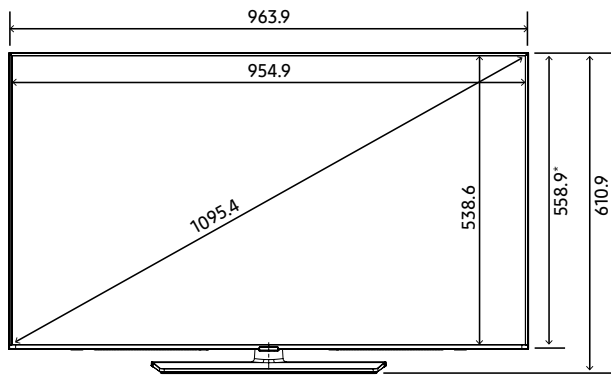
| Model Code | | 43" | 50" | 55" | 65" | 75" |
|------------------------|---|--|----------------------|----------------------|----------------------|----------------------|
| Display | Backlight | LED | LED | LED | LED | LED |
| | Screen Size | 43 | 50 | 55 | 65 | 75 |
| | Resolution | 3,840 x 2,160 | 3,840 x 2,160 | 3,840 x 2,160 | 3,840 x 2,160 | 3,840 x 2,160 |
| Video | Picture Engine | UHD Mastering Engine | UHD Mastering Engine | UHD Mastering Engine | UHD Mastering Engine | UHD Mastering Engine |
| | Auto Motion Plus | Yes | Yes | Yes | Yes | Yes |
| | Film Mode | Yes | Yes | Yes | Yes | Yes |
| | Natural Motion Support | Yes | Yes | Yes | Yes | Yes |
| | Motion Rate | 120 | 120 | 120 | 120 | 120 |
| | PQI (Picture Quality Index) | 1300 | 1300 | 1300 | 1300 | 1300 |
| | HDR(High Dynamic Range) | HDR | HDR | HDR | HDR | HDR |
| | HDR10+ | Yes | Yes | Yes | Yes | Yes |
| | HLG (Hybrid Log Gamma) | Yes | Yes | Yes | Yes | Yes |
| | Contrast | Mega Contrast | Mega Contrast | Mega Contrast | Mega Contrast | Mega Contrast |
| | Color | PurColor | PurColor | PurColor | PurColor | PurColor |
| | Viewing Angle (H/V) | 178/178 | 178/178 | 178/178 | 178/178 | 178/178 |
| | Contrast Enhancer | Yes | Yes | Yes | Yes | Yes |
| Audio | Dolby Digital Plus | Yes | Yes | Yes | Yes | Yes |
| | Sound Output (RMS) | 20W | 20W | 20W | 20W | 20W |
| | Speaker Type | 2CH | 2CH | 2CH | 2CH | 2CH |
| Smart TV | Samsung SMART TV | Smart | Smart | Smart | Smart | Smart |
| | Web Browser | Yes | Yes | Yes | Yes | Yes |
| VESA | VESA Mount | 200 x 200 mm | 200 x 200 mm | 200 x 200 mm | 400 x 300 mm | 400 x 400 mm |
| | VESA Screw Size | M8 | M8 | M8 | M8 | M8 |
| | VESA Screw Depth | 20-22 | 20-22 | 20-22 | 20-22 | 20-22 |
| Convergence | Mobile to TV - Mirroring, DLNA | Yes | Yes | Yes | Yes | Yes |
| | 360 Video Player | Yes | Yes | Yes | Yes | Yes |
| | 360 Camera Support | Yes | Yes | Yes | Yes | Yes |
| General Feature | Accessibility | UK English, German, French, Spanish, Italian, Dutch, Polish, Danish, Swedish, Finnish, Norwegian, Portuguese, Russian(only when connecting to Network in EE,LV,LT) | | | | |
| | Digital Clean View | Yes | Yes | Yes | Yes | Yes |
| | Auto Channel Search | Yes | Yes | Yes | Yes | Yes |
| | Auto Power Off | Yes | Yes | Yes | Yes | Yes |
| | Caption (Subtitle) | Yes | Yes | Yes | Yes | Yes |
| | Connect Share™ (HDD) | Yes | Yes | Yes | Yes | Yes |
| | ConnectShare™ (USB 2.0) | Yes | Yes | Yes | Yes | Yes |
| | EPG | Yes | Yes | Yes | Yes | Yes |
| | Game Mode | Yes | Yes | Yes | Yes | Yes |
| | OSD Language | 27 European Languages + Russian(only when connecting to Network in EE,LV,LT) | | | | |
| | BT HID Built-in | Yes | Yes | Yes | Yes | Yes |
| | USB HID Support | Yes | Yes | Yes | Yes | Yes |
| | Teletext (TTX) | Yes | Yes | Yes | Yes | Yes |
| | Ultra Clean View | Yes | Yes | Yes | Yes | Yes |
| | V-Chip | N/A | Yes | Yes | Yes | Yes |
| IPv6 Support | Yes | Yes | Yes | Yes | Yes | |
| System | Digital Broadcasting | DVB-T2CS2 | DVB-T2CS2 | DVB-T2CS2 | DVB-T2CS2 | DVB-T2CS2 |
| | Analog Tuner | Yes | Yes | Yes | Yes | Yes |
| | CI (Common Interface) | CI+(1.4) | CI+(1.4) | CI+(1.4) | CI+(1.4) | CI+(1.4) |
| | Data Broadcasting | HbbTV 2.0.1(IT)/ HbbTV 1.5(CZ,SK,DE,AT,FR,ES,FI,EE,GR)/ HbbTV 1.0(PL,HU,CH,BE,NL,LU,PT,DK)/ MHEG 5(GB,IE) | | | | |
| Hospitality Feature | Samsung LYNK™ HMS Compatibility | Yes | Yes | Yes | Yes | Yes |
| | H.Browser Compatibility | Yes | Yes | Yes | Yes | Yes |
| | Samsung LYNK™ REACH (IP) | REACH 4.0 | REACH 4.0 | REACH 4.0 | REACH 4.0 | REACH 4.0 |
| | Samsung LYNK™ REACH (RF) | REACH 4.0 | REACH 4.0 | REACH 4.0 | REACH 4.0 | REACH 4.0 |
| | Hospitality Home Menu | Home Menu 2017 | Home Menu 2017 | Home Menu 2017 | Home Menu 2017 | Home Menu 2017 |
| | Bluetooth Music Player (Mobile → TV) | Yes | Yes | Yes | Yes | Yes |
| | Hospitality Plug&Play (Easy Set-up) | Yes | Yes | Yes | Yes | Yes |
| | Auto Source Mode | Yes | Yes | Yes | Yes | Yes |
| | Power On Mode | Yes | Yes | Yes | Yes | Yes |
| | Hotel Channel List | Yes | Yes | Yes | Yes | Yes |
| | Channel Menu Display | Yes | Yes | Yes | Yes | Yes |
| | Mixed Channel List | Yes | Yes | Yes | Yes | Yes |
| | (ATSC, DVB-T/T2/C/S2, Analog) | Yes | Yes | Yes | Yes | Yes |
| | My Channel | Yes | Yes | Yes | Yes | Yes |
| | Energy Saving Mode (BLU Control) | Yes | Yes | Yes | Yes | Yes |
| | Logo Display with Time Out Setting (BMP/ Movie) | Yes | Yes | Yes | Yes | Yes |
| | Welcome Message | Yes | Yes | Yes | Yes | Yes |
| | RJ12/IR Pass Through | Yes | Yes | Yes | Yes | Yes |
| | External Clock Compatibility | No | No | No | No | No |
| | Clock Back Up Supply | Yes | Yes | Yes | Yes | Yes |
| | External Clock Dimming Control | No | No | No | No | No |
| | Multi Code Remote Control | Yes | Yes | Yes | Yes | Yes |
| | Screwed Remote Battery Cover | Yes | Yes | Yes | Yes | Yes |
| | Soundbar Compatibility | Yes | Yes | Yes | Yes | Yes |
| | Music Mode (Input: PC/AV/Component/HDMI) | Yes | Yes | Yes | Yes | Yes |
| | Music Mode Backlight on/off | Yes | Yes | Yes | Yes | Yes |
| | TTX Clock Update (Analogue) | Yes | Yes | Yes | Yes | Yes |
| | USB Cloning | Yes | Yes | Yes | Yes | Yes |
| | Smovie Compatibility | Yes | Yes | Yes | Yes | Yes |
| | Soft AP | Yes | Yes | Yes | Yes | Yes |
| | On/Off Timer (Schedule) | Yes | Yes | Yes | Yes | Yes |
| | Wake-up Timer (Alarm) | Yes | Yes | Yes | Yes | Yes |
| | Samsung LYNK™ DRM | Yes | Yes | Yes | Yes | Yes |
| bLAN | No | No | No | No | No | |
| Security Mode | Yes | Yes | Yes | Yes | Yes | |
| S/W EPG (Solution EPG) | Yes | Yes | Yes | Yes | Yes | |
| IP Over Coax | No | No | No | No | No | |

Specifications

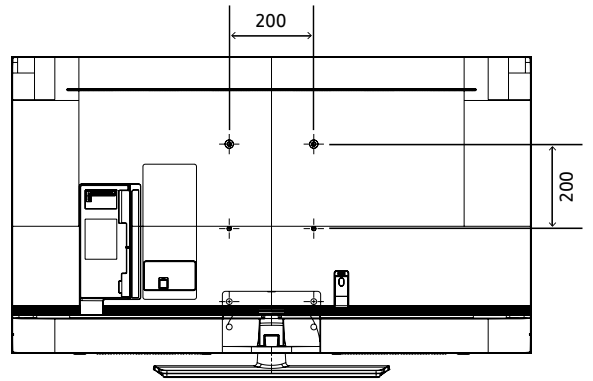
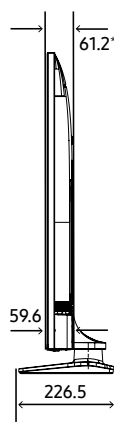
| Model Code | | 43" | 50" | 55" | 65" | 75" |
|--|---|---------------------------------------|---------------------------------------|---------------------------------------|---------------------------------------|---------------------------------------|
| Input & Output | HDMI (Side/Rear) | 3/0 | 3/0 | 3/0 | 3/0 | 3/0 |
| | USB (Side/Rear) | 2 | 2 | 2 | 2 | 2 |
| | Composite In (AV) (Side/Rear) | 1 (Common Use for Component Y) | 1 (Common Use for Component Y) | 1 (Common Use for Component Y) | 1 (Common Use for Component Y) | 1 (Common Use for Component Y) |
| | RF In (Terrestrial / Cable input) (Side/Rear) | 1/1 (Common Use for Terrestrial)/0 | 1/1 (Common Use for Terrestrial)/0 | 1/1 (Common Use for Terrestrial)/0 | 1/1 (Common Use for Terrestrial)/0 | 1/1 (Common Use for Terrestrial)/0 |
| | CI Slot (Side/Rear) | 1 | 1 | 1 | 1 | 1 |
| | HDMI A / Return Ch. Support | Yes | Yes | Yes | Yes | Yes |
| | WiFi | Yes | Yes | Yes | Yes | Yes |
| | Anynet+ (HDMI-CEC) | Yes | Yes | Yes | Yes | Yes |
| | Pillow Speaker Jack (Side/Rear) | No | No | No | No | No |
| | Variable Audio Out (Side/Rear) | 0/1 | 0/1 | 0/1 | 0/1 | 0/1 |
| | Variable Audio Out Volume Control (Side/Rear) | 0/1 | 0/1 | 0/1 | 0/1 | 0/1 |
| | RJ12 (Side/Rear) | 0/1 | 0/1 | 0/1 | 0/1 | 0/1 |
| | RJP (Remote Jackpack) (Side/Rear) | 0/1 | 0/1 | 0/1 | 0/1 | 0/1 |
| | Door-Eye Control (Side/Rear) | No | No | No | No | No |
| | Door-Eye Video In (Side/Rear) | No | No | No | No | No |
| PC In (D-sub) (Side./Rear) | No | No | No | No | No | |
| PC/DVI Audio In (Mini Jack) (Side./Rear) | No | No | No | No | No | |
| Ethernet Bridge (LAN-Out) | 0/1 | 0/1 | 0/1 | 0/1 | 0/1 | |
| Design | Front Color | BLACK | BLACK | BLACK | BLACK | BLACK |
| | Stand Type | SQUARE | SQUARE | SQUARE | SLIM FEET | SLIM FEET |
| | Bezel Type | 3 Bezel-less | 3 Bezel-less | 3 Bezel-less | 3 Bezel-less | 3 Bezel-less |
| Eco | Energy Efficiency Class | A | A | A | A | A+ |
| | Eco Sensor | Yes | Yes | Yes | Yes | Yes |
| Power | Power Supply (V) | AC220-240V 50/60Hz | AC220-240V 50/60Hz | AC220-240V 50/60Hz | AC220-240V 50/60Hz | AC220-240V 50/60Hz |
| | Power Consumption (Max) | 125 W | 140 W | 145 W | 195 W | 250 W |
| | Power Consumption (Energy Saving Mode) | 24 | 29 | 27 | 31 | 37 |
| | Power Consumption (Stand-by) | 0.50 W | 0.50 W | 0.50 W | 0.50 W | 0.50 W |
| | Power Consumption (Typical) | 65.0 W | 85.0 W | 95.0 W | 125 W | 154 W |
| Dimension | Set Dimension without Stand (WxHxD) | 963.9 x 558.9 x 59.6 mm | 1116.8 x 644.2 x 59.9 mm | 1230.5 x 707.2 x 59.9 mm | 1449.4 x 830.3 x 59.9 mm | 1673.2 x 958.2 x 59.9 mm |
| | Set Dimension with Stand (WxHxD) | 963.9 x 610.9 x 226.5 mm | 1116.8 x 696.8 x 226.5 mm | 1230.5 x 759.8 x 226.5 mm | 1449.4 x 906.6 x 282.1 mm | 1673.2 x 1047.9 x 341.1 mm |
| | Package Dimension (WxHxD) | 1183 x 670 x 143 mm | 1357 x 780 x 152 mm | 1467 x 843 x 158 mm | 1606 x 963 x 184 mm | 1840 x 1118 x 198 mm |
| Weight | Set Weight without Stand | 8.6 kg | 11.9 kg | 14.3 kg | 21.1 kg | 30.9 kg |
| | Set Weight with Stand | 11.8 kg | 15.1 kg | 17.5 kg | 21.4 kg | 31.3 kg |
| | Package Weight | 15.0 kg | 19.3 kg | 22.8 kg | 29.5 kg | 41.8 kg |
| Accessory | Remote Controller Model | TM1240A | TM1240A | TM1240A | TM1240A | TM1240A |
| | Batteries (for Remote Control) | Yes | Yes | Yes | Yes | Yes |
| | Mini Wall Mount Supported | Yes | Yes | Yes | N/A | Yes |
| | Vesa Wall Mount Supported | Yes | Yes | Yes | Yes | Yes |
| | Power Cable | Yes | Yes | Yes | Yes | Yes |
| | Quick Install Guide | Yes | Yes | Yes | Yes | Yes |
| | Data Cable | Yes | Yes | Yes | Yes | Yes |
| | Stand Mount Kit | Yes | Yes | Yes | Yes | Yes |
| | Security Screws (Stand Base) | No | No | No | No | No |
| | PureCare Remote(Seamless White Remote) | No | No | No | No | No |
| Angle Adaptor (for Side RF tuner) | No | No | No | No | No | |

Specifications

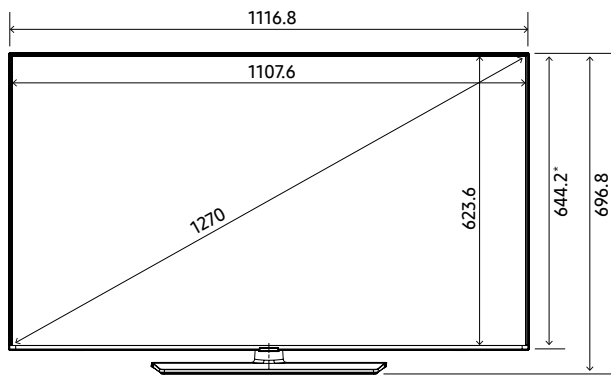
43"



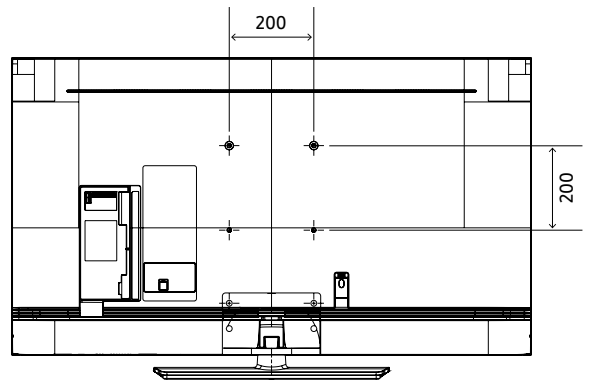
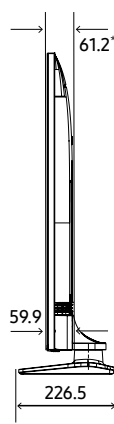
* Including logo



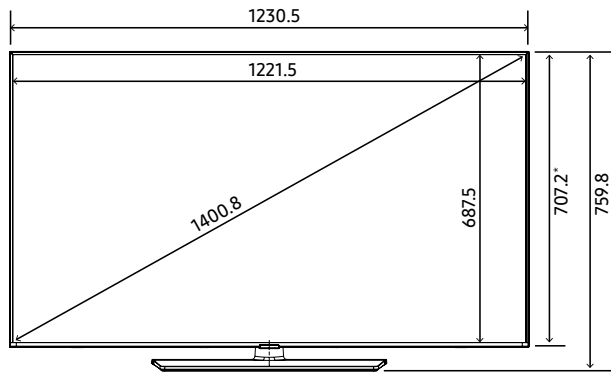
50"



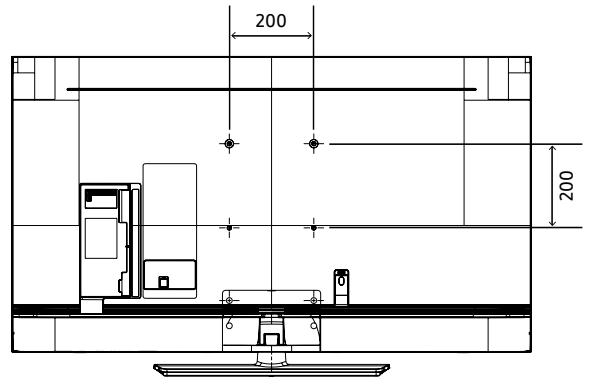
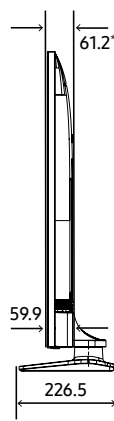
* Including logo



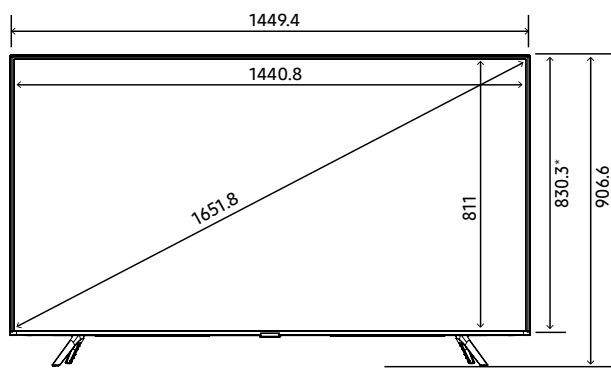
55"



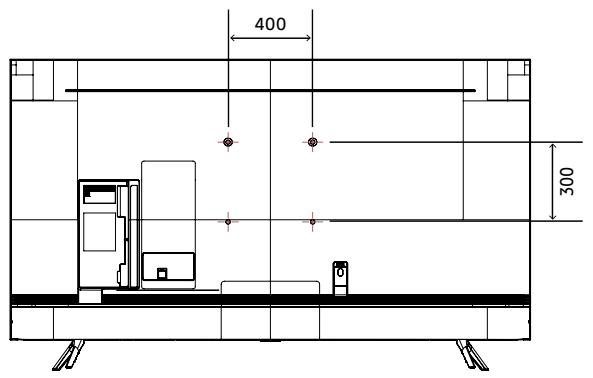
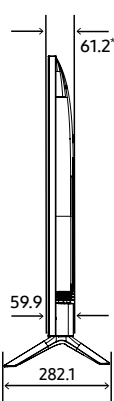
* Including logo



65"

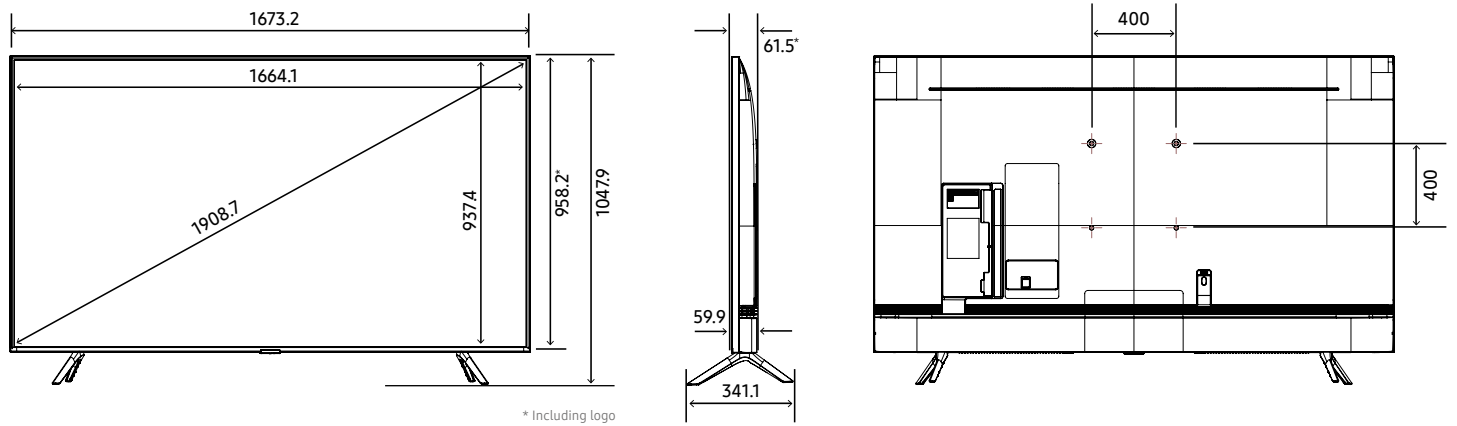


* Including logo



Specifications

75"



- 1
- 2
- 3
- 4
- 5
- 6
- 7
- 8

Connectors

| | |
|--------------------------------|------------------------|
| 1. RJP | 13. VOL-CTRL |
| 2. USB (5V 0.5A) | 14. VARIABLE AUDIO OUT |
| 3. USB (HDD 5V 1A) | |
| 4. DIGITAL AUDIO OUT (OPTICAL) | |
| 5. HDMI IN 3 (ARC) | |
| 6. HDMI IN 2 | |
| 7. HDMI IN 1 | |
| 8. ANT IN | |
| 9. LAN OUT | |
| 10. DATA | |
| 11. COMPONENT / AV IN | |
| 12. LAN IN | |

For more information, get in touch: info@airwave.tv or 0845 555 1212