

Samsung Hospitality Displays

HT670U Series (EU)

Highlights

- Elevate content to UHD resolution through upscaling technology
- Improve picture clarity and detail with HDR10+ refinement
- Quickly create and share personalized and promotional messaging
- Allow guests to manage in-room settings within an intuitive home menu
- Gauge and address maintenance needs in anticipation of guest requests
- Build compatible web applications within the powerful TIZEN OS



Crisp and vivid color expression



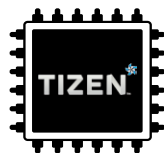
Crystal Display ensures optimized color expression so guests can experience every subtle detail, immersing themselves in any content with a wider range of colors.

Refined picture quality



Beyond consistent UHD quality, Samsung's displays bring the power of High Dynamic Range (HDR10+) picture refinement to any hotel room. Using dynamic metadata that fine-tunes each frame within a given program, HDR10+ technology delivers an optimal, detail-rich and memorable viewing experience.

Powerful performance, enhanced security



Backed by the powerful TIZEN operating system, Samsung hospitality displays ensure secure content delivery across the application, platform and system layers.

End-to-end personalized service



Hotels additionally can use LYNK REACH 4.0 to deliver customized guest messaging. Upon arrival, guests can receive a personalized greeting along with information about promotions or on-site amenities relevant to their stay. LYNK REACH 4.0 also provides express check-out for added convenience.

Additional features



Plug and Play



LYNK DRM



Sound Bar Compatibility



SI Compatibility



Security Mode



Swivel Stand



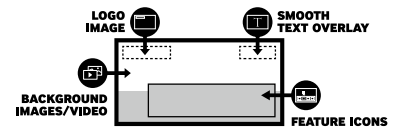
ISTA

UHD-quality content delivery



Samsung's hospitality displays offer hotel guests the vivid picture quality of home entertainment systems. Through UHD upscaling technology, these refined displays showcase all content at UHD resolution (3,840 x 2,160), with four times the pixels of the FHD standard.

A tailored home menu



Each Samsung hospitality display includes an intuitive, customizable home menu that streamlines content exchange between hotels and guests. Content managers can easily incorporate images, logos and feature icons specific to guest needs while reinforcing special offers and hotel branding.

Centralized, real-time management



Compatible with existing LAN, Wi-Fi and coaxial infrastructures, Samsung's LYNK REACH 4.0 content platform centralizes and streamlines overall hotel maintenance. Hotel managers now can remedy issues across single displays or display groups before they escalate.

Specifications

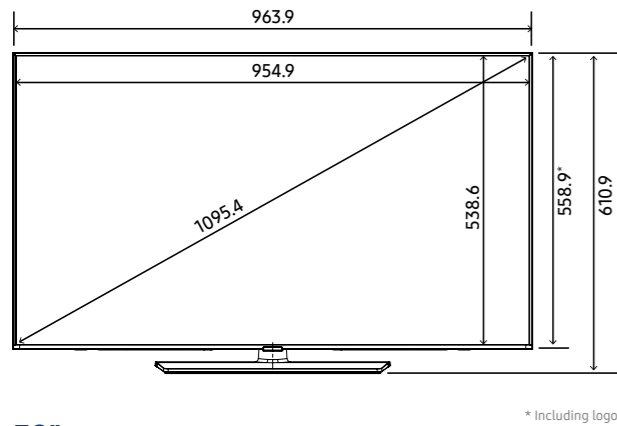
Model Code		43"	50"	55"	
Display	Product	LED	LED	LED	
	Screen Size	43	50	55	
Video	Resolution	3,840 x 2,160	3,840 x 2,160	3,840 x 2,160	
	Picture Engine	UHD Mastering Engine	UHD Mastering Engine	UHD Mastering Engine	
	Micro Dimming	N/A	N/A	N/A	
	Auto Motion Plus	Yes	Yes	Yes	
	Film Mode	Yes	Yes	Yes	
	Natural Mode Support	Yes	Yes	Yes	
	Motion Rate	100	100	100	
	PQI (Picture Quality Index)	1300	1300	1300	
	HDR(High Dynamic Range)	HDR	HDR	HDR	
	HDR10+	Support	Support	Support	
	HLG (Hybrid Log Gamma)	Yes	Yes	Yes	
	Contrast	Mega Contrast	Mega Contrast	Mega Contrast	
	Color	PurColor	PurColor	PurColor	
	Viewing Angle (H/V)	178/178	178/178	178/178	
	Auto Depth Enhancer	N/A	N/A	N/A	
Contrast Enhancer	Yes	Yes	Yes		
Audio	Dolby Digital Plus	Yes	Yes	Yes	
	Sound Output (RMS)	20W	20W	20W	
	Speaker Type	2CH	2CH	2CH	
Smart TV	Woofer	N/A	N/A	N/A	
	Samsung SMART TV	N/A	N/A	N/A	
VESA	VESA Mount	200 x 200 mm	200 x 200 mm	200 x 200 mm	
	VESA Screw Size	M8	M8	M8	
	VESA Screw Depth	20-22	20-22	20-22	
	Mobile to TV - Mirroring, DLNA	N/A	N/A	N/A	
	360 Video Player	N/A	N/A	N/A	
General Feature	360 Camera Support	N/A	N/A	N/A	
	Accessibility	UK English, German, French, Spanish, Italian, Dutch, Polish, Danish, Swedish, Finnish, Norwegian, Portuguese, Russian(only when connecting to Network in EE,LV,LT)			
	Digital Clean View	Yes	Yes	Yes	
	Auto Channel Search	Yes	Yes	Yes	
	Auto Power Off	Yes	Yes	Yes	
	Caption (Subtitle)	Yes	Yes	Yes	
	Connect Share™ (HDD)	Yes	Yes	Yes	
	ConnectShare™ (USB 2.0)	Yes	Yes	Yes	
	EPG	Yes	Yes	Yes	
	Game Mode	Yes	Yes	Yes	
	OSD Language	27 European Languages + Russian(only when connecting to Network in EE,LV,LT)			
	Picture-In-Picture	N/A	N/A	N/A	
	BT HID Built-in	N/A	N/A	N/A	
	USB HID Support	Yes	Yes	Yes	
	Teletext (TTX)	Yes	Yes	Yes	
	Ambient Mode	N/A	N/A	N/A	
	Ultra Clean View	N/A	N/A	N/A	
	V-Chip	N/A	N/A	N/A	
	MBR Support	N/A	N/A	N/A	
	IPv6 Support	N/A	N/A	N/A	
	System	Digital Broadcasting	DVB-T2CS2	DVB-T2CS2	DVB-T2CS2
		Analog Tuner	Yes	Yes	Yes
		CI (Common Interface)	CI+(1.4)	CI+(1.4)	CI+(1.4)
		Data Broadcasting	HbbTV 2.0.1(IT)/ HbbTV 1.5(CZ,SK,DE,AT,FR,ES,FI,EE,GR)/ HbbTV 1.0(PL,HU,CH,BE,NL,LU,PT,DK)/ MHEG 5(GB,IE)		
		Samsung LYNK™ HMS Compatibility	N/A	N/A	N/A
Hospitality Feature	H.Browser Compatibility	N/A	N/A	N/A	
	Samsung LYNK™ REACH (IP)	N/A	N/A	N/A	
	Samsung LYNK™ REACH (RF)	REACH 4.0	REACH 4.0	REACH 4.0	
	Hospitality Home Menu	Home Menu 2017	Home Menu 2017	Home Menu 2017	
	Bluetooth Music Player (Mobile → TV)	N/A	N/A	N/A	
	Hospitality Plug&Play (Easy Set-up)	Yes	Yes	Yes	
	Auto Source Mode	Yes	Yes	Yes	
	Power On Mode	Yes	Yes	Yes	
	Hotel Channel List	Yes	Yes	Yes	
	Channel Menu Display	Yes	Yes	Yes	
	Mixed Channel List (ATSC, DVB-T/T2/C/S2, Analog)	Yes	Yes	Yes	
	My Channel	Yes	Yes	Yes	
	Energy Saving Mode (BLU Control)	Yes	Yes	Yes	
	Logo Display with Time Out Setting (BMP/ Movie)	Yes	Yes	Yes	
	Welcome Message	Yes	Yes	Yes	
	RJ12/IR Pass Through	Yes	Yes	Yes	
	External Clock Compatibility	No	No	No	
	Clock Back Up Supply	Yes	Yes	Yes	
	External Clock Dimming Control	No	No	No	
	Software Clock	N/A	N/A	N/A	
	Multi Code Remote Control	Yes	Yes	Yes	
	Screwed Remote Battery Cover	Yes	Yes	Yes	
	Soundbar Compatibility	Yes	Yes	Yes	
	Music Mode (Input: PC/AV/Component/HDMI)	Yes	Yes	Yes	
	Music Mode Backlight on/off	N/A	N/A	N/A	
	TTX Clock Update (Analogue)	Yes	Yes	Yes	
	USB Cloning	Yes	Yes	Yes	
	Smooovie Compatibility	Yes	Yes	Yes	
	Soft AP	N/A	N/A	N/A	
	On/Off Timer (Schedule)	Yes	Yes	Yes	
	Wake-up Timer (Alarm)	Yes	Yes	Yes	
	Samsung LYNK™ DRM	Yes	Yes	Yes	
	Pro:Idiom HW	N/A	N/A	N/A	
	BLAN	No	No	No	
	Security Mode	Yes	Yes	Yes	
S/W EPG (Solution EPG)	Yes	Yes	Yes		
IP Over Coax	No	No	No		
UL Certification	N/A	N/A	N/A		

Specifications

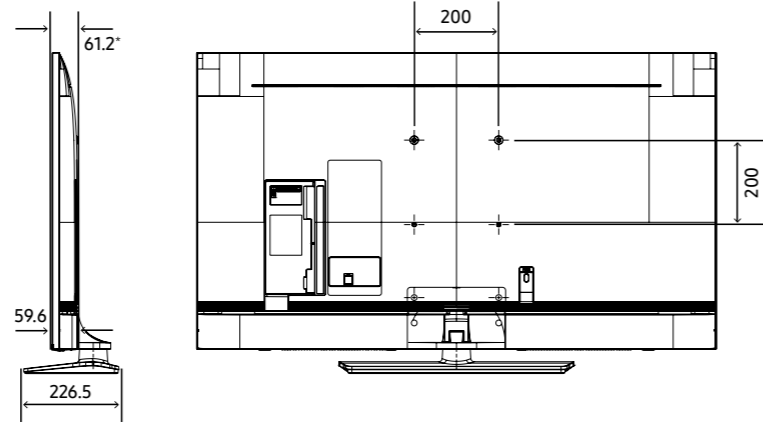
Model Code		43"	50"	55"
Input & Output	HDMI	3/0	3/0	3/0
	USB	2	2	2
	Component In (Y/Pb/Pr)	N/A	N/A	N/A
	Composite In (AV)	N/A	N/A	N/A
	Ethernet (LAN)	N/A	N/A	N/A
	Headphone	N/A	N/A	N/A
	Audio Out (Mini Jack / LR)	N/A	N/A	N/A
	Digital Audio Out (Optical)	1	1	1
	RF In (Terrestrial / Cable input / Satellite Input)	1/1(Common Use for Terrestrial)/0	1/1(Common Use for Terrestrial)/0	1/1(Common Use for Terrestrial)/0
	Ex-Link (Supports RS-232C Gender)	N/A	N/A	N/A
	CI Slot	1	1	1
	HDMI A / Return Ch. Support	Yes	Yes	Yes
	WiFi	N/A	N/A	N/A
	Anynet+ (HDMI-CEC)	Yes	Yes	Yes
	Pillow Speaker Jack	No	No	No
Variable Audio Out	N/A	N/A	N/A	
Variable Audio Out Volume Control	N/A	N/A	N/A	
Video Out	N/A	N/A	N/A	
RJ12	0/1	0/1	0/1	
RJP (Remote Jackpack)	0/1	0/1	0/1	
Headphone ID	N/A	N/A	N/A	
Door-Eye Control	No	No	No	
Door-Eye Video In	No	No	No	
PC In (D-sub) (Side./Rear)	No	No	No	
PC/DVI Audio In (Mini Jack)	No	No	No	
Ethernet Bridge (LAN-Out)	N/A	N/A	N/A	
Design	Front Color	BLACK	BLACK	BLACK
	Stand Type	SQUARE	SQUARE	SQUARE
	Swivel (Left/Right)	Yes	Yes	Yes
	Bezel Type	3 Bezel-less	3 Bezel-less	3 Bezel-less
	Light Effect (Deco)	N/A	N/A	N/A
Eco	Energy Efficiency Class	G	G	G
	Eco Sensor	Yes	Yes	Yes
Power	Power Supply (V)	AC220-240V 50/60Hz	AC220-240V 50/60Hz	AC220-240V 50/60Hz
	Power Consumption (Max)	125 W	140 W	145 W
	Power Consumption (Energy Saving Mode)	N/A	N/A	N/A
	Power Consumption (Stand-by)	0.50 W	0.50 W	0.50 W
Dimension	Power Consumption (Typical)	73.0 W	95.0 W	102 W
	Set Dimension without Stand (WxHxD)	963.9 x 558.9 x 59.6 mm	1116.8 x 644.2 x 59.9 mm	1230.5 x 707.2 x 59.9 mm
	Set Dimension with Stand (WxHxD)	963.9 x 610.9 x 226.5 mm	1116.8 x 696.8 x 226.5 mm	1230.5 x 759.8 x 226.5 mm
Weight	Package Dimension (WxHxD)	1183 x 670 x 143 mm	1357 x 780 x 152 mm	1467 x 843 x 158 mm
	Set Weight without Stand	8.6 kg	11.9 kg	14.3 kg
	Set Weight with Stand	11.8 kg	15.1 kg	17.5 kg
Accessory	Package Weight	15.0 kg	19.3 kg	22.8 kg
	Remote Controller Model	TM1240A	TM1240A	TM1240A
	Batteries (for Remote Control)	Yes	Yes	Yes
	Samsung Smart Control (Included)	N/A	N/A	N/A
	Mini Wall Mount Supported	Yes	Yes	Yes
	VESA Wall Mount Supported	Yes	Yes	Yes
	User Manual	N/A	N/A	N/A
	E-Manual	N/A	N/A	N/A
	ANT-Cable	N/A	N/A	N/A
	Power Cable	Yes	Yes	Yes
	Quick Install Guide	Yes	Yes	Yes
	Data Cable	Yes	Yes	Yes
	Stand Mount Kit	Yes	Yes	Yes
	Security Screws (Stand Base)	No	No	No
	PureCare Remote(Seamless White Remote)	No	No	No
No Gap Wall-mount	N/A	N/A	N/A	
Optional Stand Support (Studio)	N/A	N/A	N/A	
Slim Gender Cable	N/A	N/A	N/A	
Angle Adaptor (for Side RF tuner)	No	No	No	

Specifications

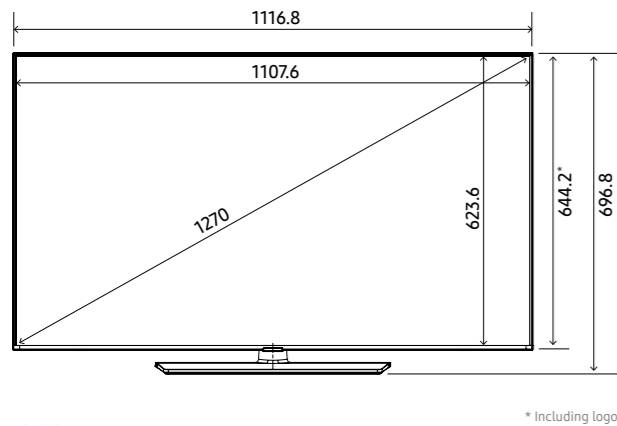
43"



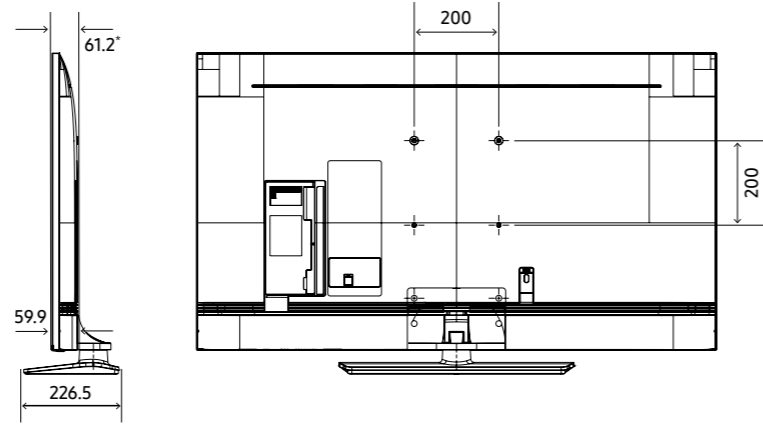
* Including logo



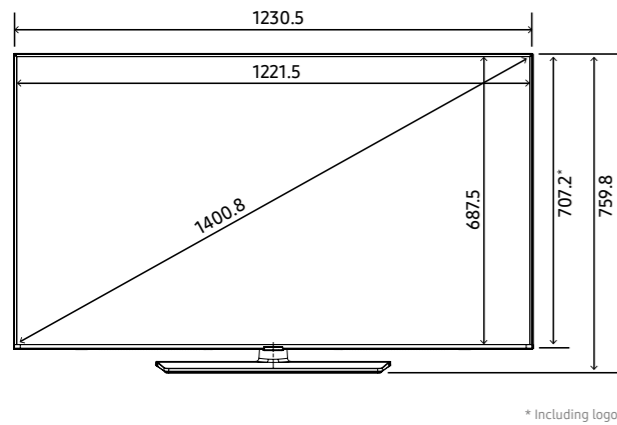
50"



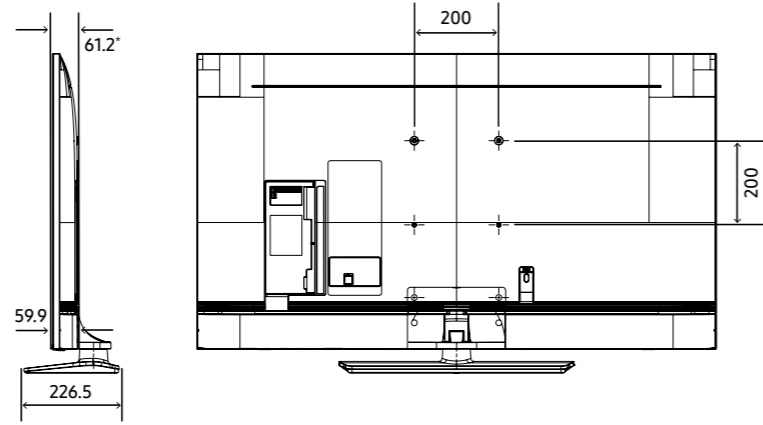
* Including logo



55"



* Including logo



Specifications

- 1
- 2
- 3
- 4
- 5
- 6
- 7
- 8

DATA

9

Connectors

1. RJP
2. USB (5V 0.5A)
3. USB (HDD 5V 1A)
4. DIGITAL AUDIO OUT (OPTICAL)
5. HDMI IN 3 (ARC)
6. HDMI IN 2
7. HDMI IN 1
8. ANT IN
9. DATA

AIR WAVE

SAMSUNG

For more information, get in touch | 0845 555 1212 | info@airwave.tv